

PULSAFEEDER®

The Chem-Tech Series 100 is the standard by which all other dosing pumps are judged, Chem-Tech Series 100/150 pumps with motorized-diaphragm technology deliver dependable performance and extended longevity. The Series 100/150 provides quiet, consistent metering over long periods of time in a compact form.

A tried-and-true electric motor transfers power via a sealed gearbox and eccentric cam for smooth, reliable dosing. Simple, adjustable system with knob and locking lever provide easy flow rate control and turndown. The compact, injection-molded housing and clear pump head offer both affordability and chemical resistance. The industrial grade, low-stress diaphragm provides long life, even in harsh conditions and continuous duty cycles.

Series 100 Models - The preferred metering pump for water conditioning professionals around the world. Perfect for applications where economical, consistent performance is required. Capable of a wide range of flows, from less than 3 USGPD (0.47 lph) up to 30 USGPD (4.72 lph) and pressures up to 100 PSIG (7 BAR).

Series 150 Models - Built upon the same solid platform as the 100 Models, these units are capable of higher flow rates. With a range offering up to 100 USGPD (15.76 lph), the Series 150 can meet the demands of larger applications. Maximum pressure is 60 PSIG (4.2 BAR).

FEATURES

- Guided Quad Check Valve System
- Bleed Valve Assembly Standard.
- Feed Rate Control.

OPERATING BENEFITS

- Reliable metering performance.
- Sealed gear train.
- Self priming.
- Chemical resistant materials.
- Simple installation.

CONTROLS




Feed Rate Control

- Adjustable Feed Rate.



Standard Agency Listings		
Model	ETL	ETL san
All 60Hz	X	X
100-150 50 Hz		
Contact factory for alternate listings		

 **CHEM-TECH**
Series 100, 150
Mechanical Metering Pumps

SPECIFICATION AND MODEL SELECTION

MODEL Series 100	Control Parameters		MODEL Series 150	Control Parameters
X003.	3 gpd (0.47 lph) max pres.: 100 PSI (7 BAR)		X068	68 gpd (10.72 lph) max pres.: 60 PSI (4 BAR)
X007	7 gpd (1.00 lph) max pres.: 100 PSI (7 BAR)		X100	100 gpd (15.76 lph) max pres.: 60 PSI (4 BAR)
X015	15 gpd (2.34 lph) max pres.: 100 PSI (7 BAR)			
X024	24 gpd (3.78 lph) max pres.: 100 PSI (7 BAR)			
X030	30 gpd (4.72 lph) max pres.: 100 PSI (7 BAR)			

ENGINEERING DATA

Pump Head Materials Available	Clear PVC, PVC, PP, 316SS
Diaphragm	CSPE, Viton, PTFE-faced CSPE backed
Check Valves Materials Available	
Seats/O-Rings	PTFE, CSPE, Viton
Balls	Ceramic, PTFE, 316SS
Fittings Materials Available	GFPL, PVC, PVDF
Bleed Valve	Same as fitting and check valve selected, except 316SS
Injection Valve & Foot Valve Assy	Same as fitting and check valve selected
Tubing	Clear PVC, White PE, Black PE

Important: Material Code - GFPL=Glass-filled Polypropylene, PVC=Polyvinyl Chloride, PE=Polyethylene, CSPE=Generic formulation of Hypalon, a registered trademark of E.I. DuPont Company. Viton is a registered trademark of E.I. DuPont Company. PVC wetted end recommended for sodium hypochlorite.

Viscosity Max CPS	300 CPS
Power Input	115 VAC/60 HZ, 230 VAC/50 HZ, 230 VAC/60 HZ
Temperatur Limitaions	125°F / 51°C max
Shipping Weight	8 lbs. / 3.63 kg.
Approvals	Conforms to ANSI/NSF STD. 50 Equipment for swimming pools, spas, hot tubs, and other recreational water facilities.

AFTERMARKET

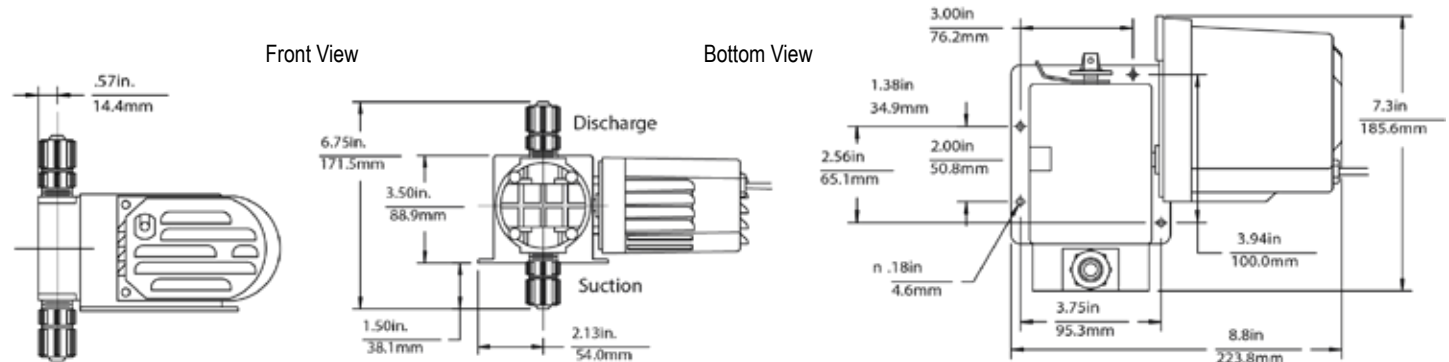
- KOPkits
- Gauges
- Dampeners
- Pressure Relief Valves
- Tanks
- Process Controllers (MicroVision)

INTEGRATED TANK SYSTEMS



Pulsafeeder's ITS System is a completely integrated tank system constructed of high density UV resistant polyethylene (PE) with a 15 gallon capacity. This tank system is translucent with 5 gallon increments and the tank's low level indicator allows visual monitoring of chemicals without opening the tank. The tight fitting child proof lid keeps the chemical free of contaminants and protects the surrounding area from chemical fumes. The ITS System also allows for easy access to the liquid end and control panel of the mounted pump. A system consists of a chemical tank with lid and bulkhead fittings, a liquid level indicator float assembly and feeder mounting hardware.

DIMENSIONS



27101 Airport Road
Punta Gorda, FL 33982
Tel: (941) 575-3800
Fax: (941) 575-4085
www.pulsatron.com



An ISO Certified Company

IBEX
CTI001 F21